



valve A·80 delta



TECHNICAL SHEET 07/2016 | IPO1060

SCOPE

A·80 DELTA are quarter valves designed for being connected to water pipe systems. They are valves with a basic finish.

They are used to shut off individually water supply to basins, sinks and other different water supply points to proceed to their repairing or replacement.

A·80 DELTA are 1/4 quarter turn valves.

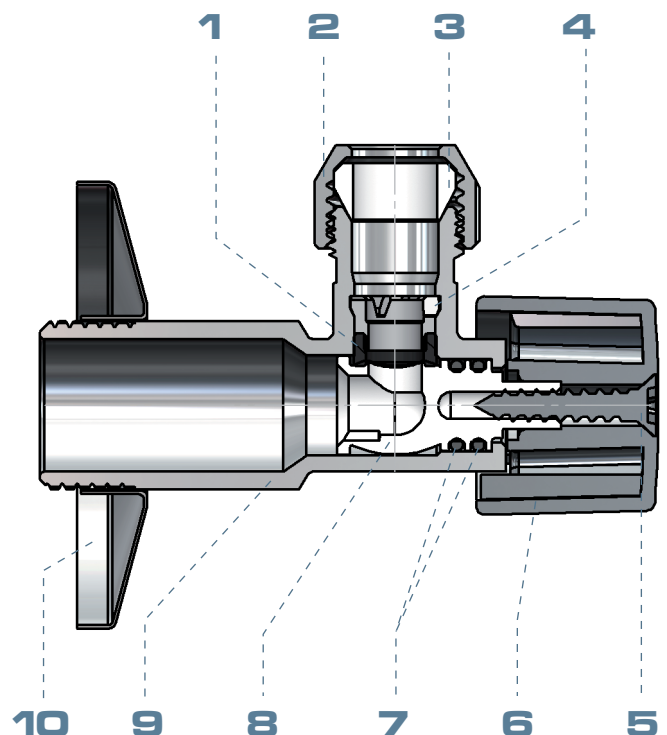
SERVICE CONDITIONS

Nominal pressure :	16 bar
test pressure:	25 bar
Temperature range:	Cold and hot water until 95°C
Fluid:	Drinking water and domestic hot water

COMPONENTS

Item	Component	Material	Treatment
1	Seat	NBR	
2	Nut*	European Brass CW614N	Chrome plated
3	Bicone*	Polyamide	
4	Supporting clip	POM	
5	Screw	Stainless steel	
6	Handle	ABS	Chrome plated
7	O-rings	NBR	
8	Stem	POM	
9	Body	European Brass CW617N	Chrome plated
10	Rosette	Stainless steel AISI 430	Chrome plated

* According to model



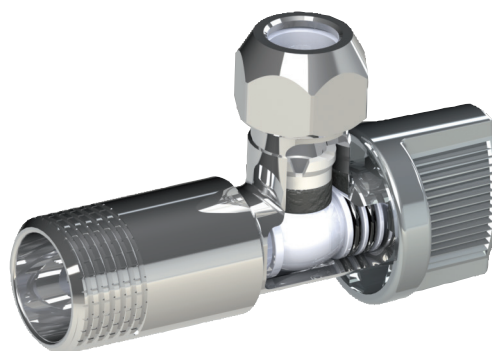


MAIN CONSTRUCTIVE FEATURES

STEM

Stem and ball are manufactured in one piece POM, which increases its resistance and performance.

This original component from ARCO has been designed to reduce loss of pressure and attenuate the sound pressure, increasing the comfort of the water facilities...



Internal leak tightness

The supporting clip made of POM is placed in the valve to push the NBR seat against the stem-ball.

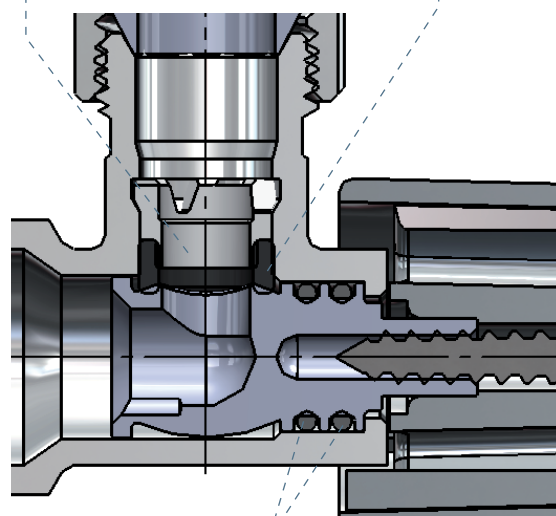
This system cannot be dismantled, avoiding improper manipulations.

External leak tightness

A pair of NBR o-rings placed on the stem assure external leak tightness. This double joint system guarantees safety against external leakage, use, ageing...

Supporting clip

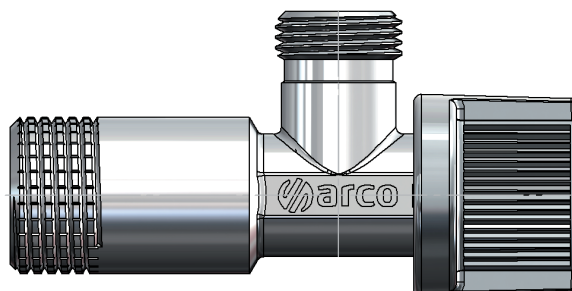
NBR seat



O-rings

KNURLED THREADS

A:80 valves have the classic knurled system from ARCO on the thread to facilitate the installation. It makes easier the application of Teflon, esparto grass... to the thread, avoiding sliding of these elements during its application.



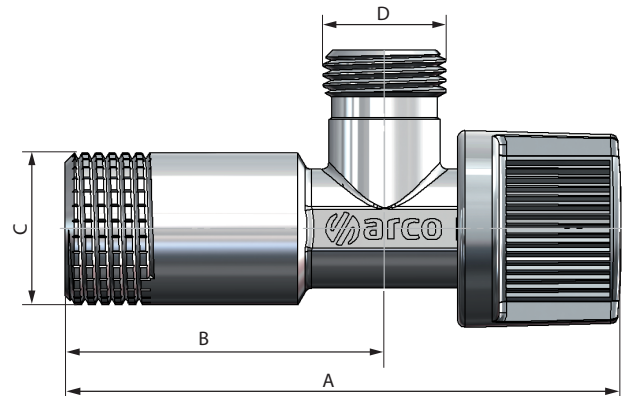


DIMENSIONS

A-80 DELTA

Size	A	B	C	D
1/2x3/8	75	43	G1/2	G3/8
1/2x1/2	75	43	G1/2	G1/2

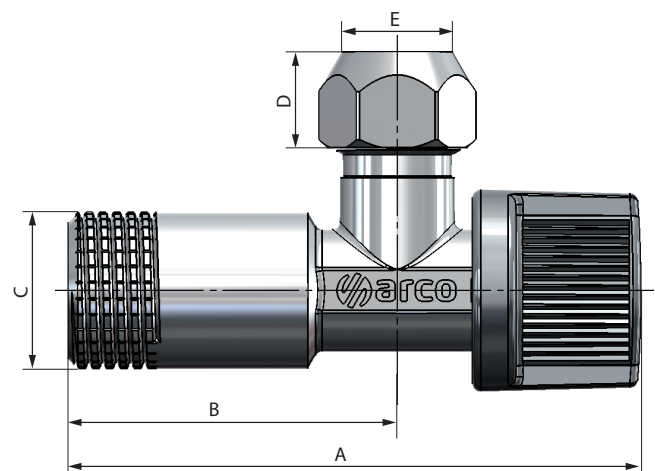
GThread ISO 228



A-80 DELTA - with nut

Size	A	B	C	D	E
1/2x3/8x10	75	43	G1/2	12	10

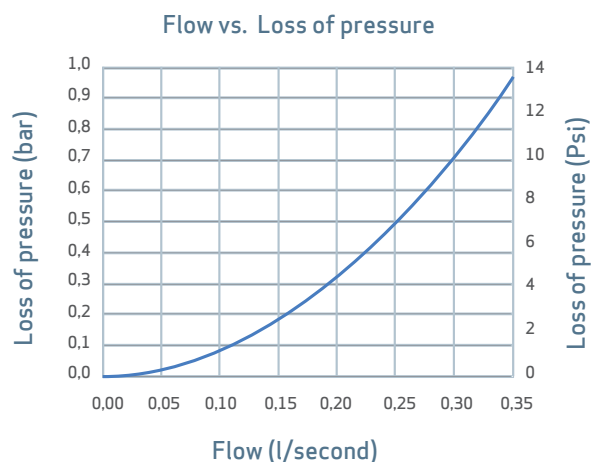
GThread ISO 228





HYDRAULIC FEATURES

Hydraulic characteristics obtained according to norm EN 1267.



INSTALATION AND ASSEMBLY

The installation of valves must be done with the right tool, mostly with 15 spanner.

The tool should be adjusted to the flat sides of the body of the valve, avoiding the deformation of the zone by high pressure of the tool.

Components of the valve must not be altered. The substitution or dismantling of the handle can cause external leaks.

All quarter turn handle valves should work totally open.

